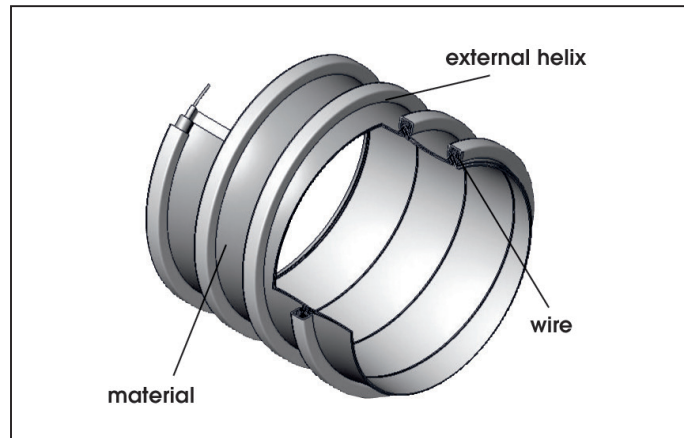


HOSE

GEOFLEX EXHAUST HT650



GeoFlex Exhaust HT650 is a high temperature hose designed for extraction or air supply of hot air, fumes, smoke or dust within the industry. Suitable for extraction of exhaust gasses from big combines or excavator etc., or extraction of air from a heater.

Material

2 ply, PU- coated high temperature fabric, reinforced by woven in stainless steel wire.

Colour

Silver-grey

Length

3 or 6 m

Special-length after request

Temperature resistance

- 120° C to + 650° C,
(interm. up to + 750°C).

Application

Suction of exhaust gases, flue gas extraction and suction of other hot fumes, gases or dust in all fields of industry.

Properties

Good temperature resistance, outer wear strip, flame retardant, silicone free, excellent axial compressibility

Art.No.	Dia. (mm)	Weight (kg/m)	Bend. Rad. (mm)	Max. Vacuum (kPa)
09-159	*102	1,8	60	17
09-161	*127	2,1	75	11
09-163	*152	2,2	90	8
09-164	*160	2,4	96	7
09-165	*203	3,0	120	4
09-166	*250	3,55	175	3
09-169	*315	4,40	210	2